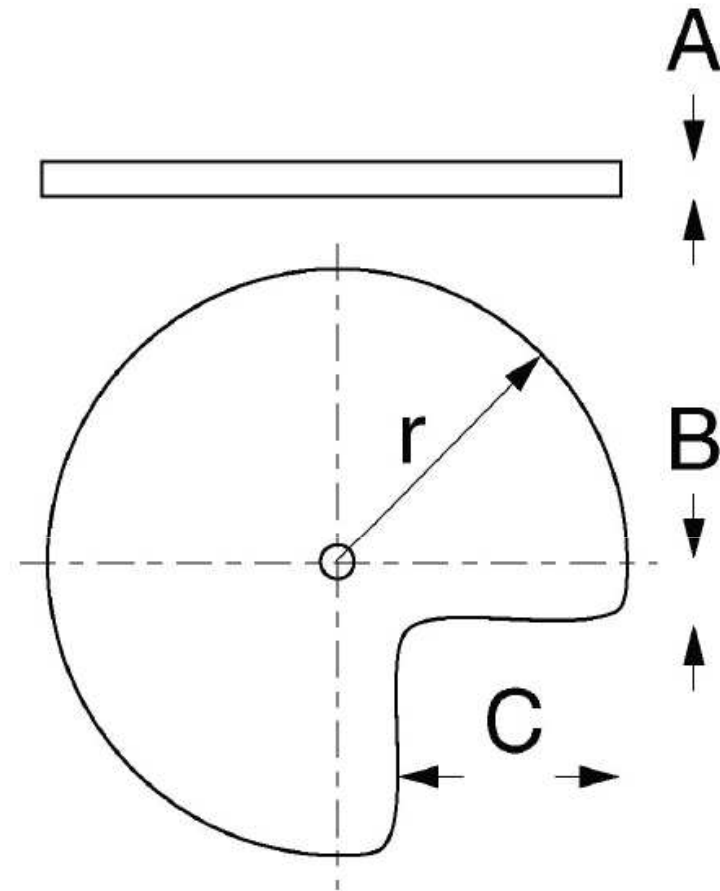
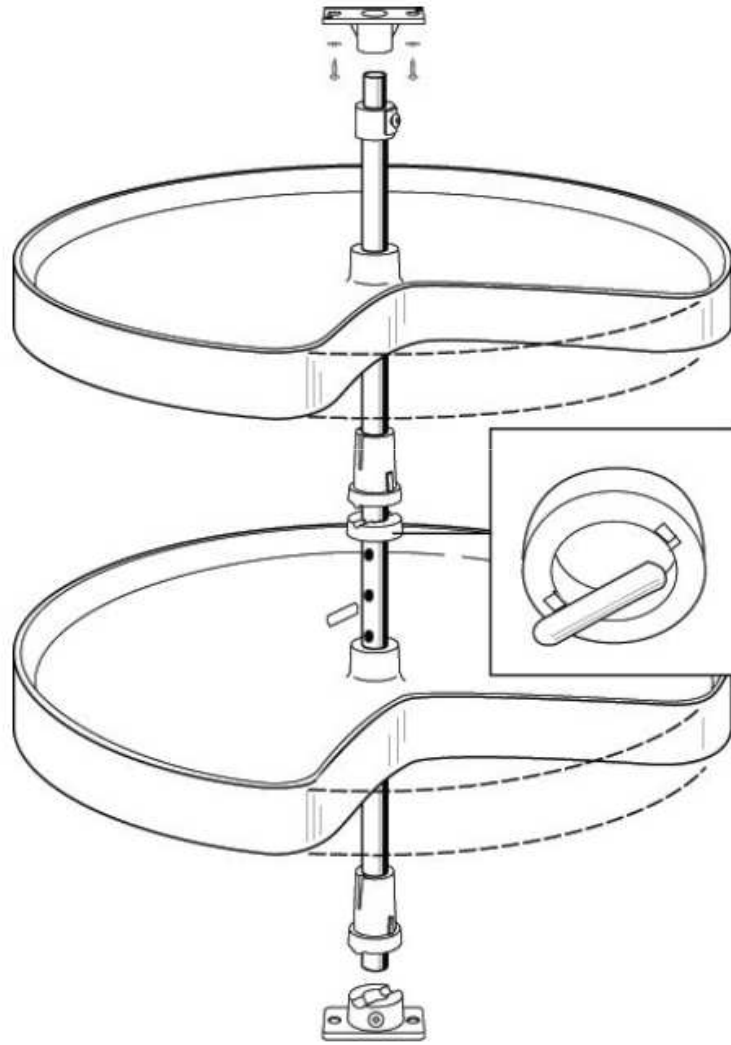


P32K30



Dia. = 32" (815mm)

A = $2^{13}/16$ " (56mm)

B = 4" (102mm)

C = 12" (305mm)