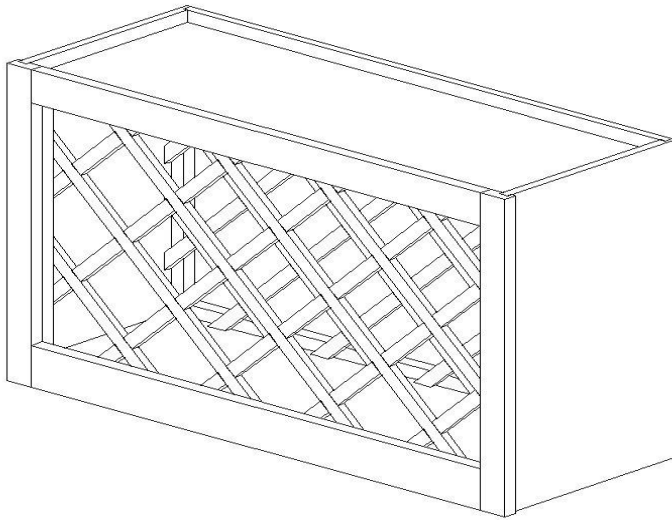




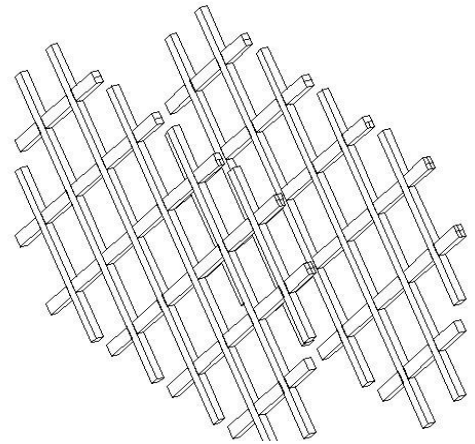
WINE RACK LATTICE

Important Notes

- Always read the instructions completely and carefully before beginning assembly.
- Remove and check contents for damage and/or missing parts. Keep the original carton and packing materials, which are required for any authorized adjustment by our dealers.



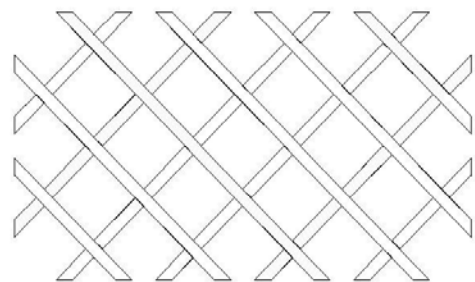
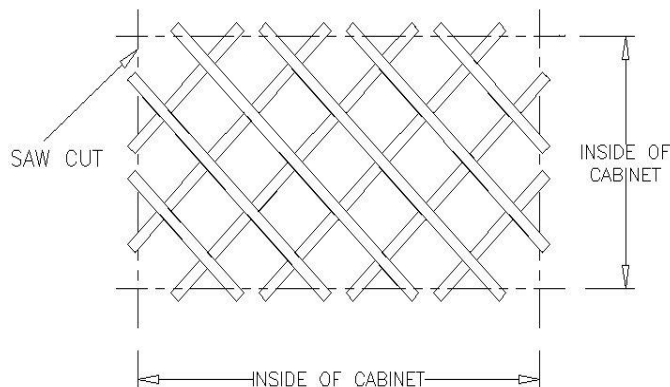
Parts:



Installation Instructions:

Step 1: Measure the inside of the cabinet where you plan to install the wine rack. Mark the same measurements on both panels, making the marks so the lattice panels remain symmetrical.

Mark the lattice panels and cut along the lines you marked. Sand the cut portions of the lattice panels until they are smooth.

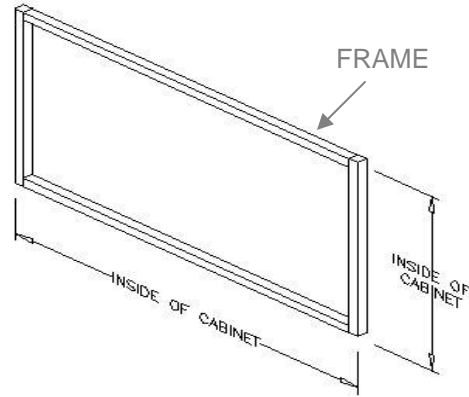


(AFTER SAWCUT)



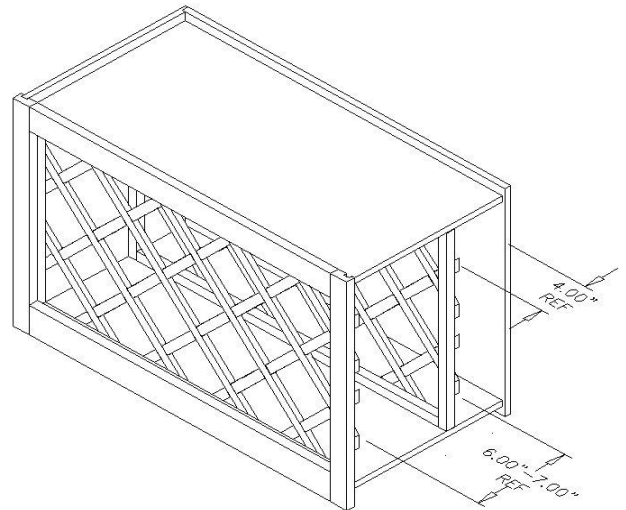
Omega National P R O D U C T S

Step 2: Construct cleat frame (3/4") to mount lattice and attach to inside of cabinet.



Step 3: The Lattice will need to be installed in front of the back of the cabinet so that the bottle will rest on the lattice. (Ref= 4" from back)

Space Lattice Panels at approximate 6 - 7" apart as necessary per bottle size.



Step 4: Pin nail through the top and bottom of cabinet to lattice panels and frame to secure.

PIN NAIL TO ATTACH THROUGH
TOP AND BOTTOM

