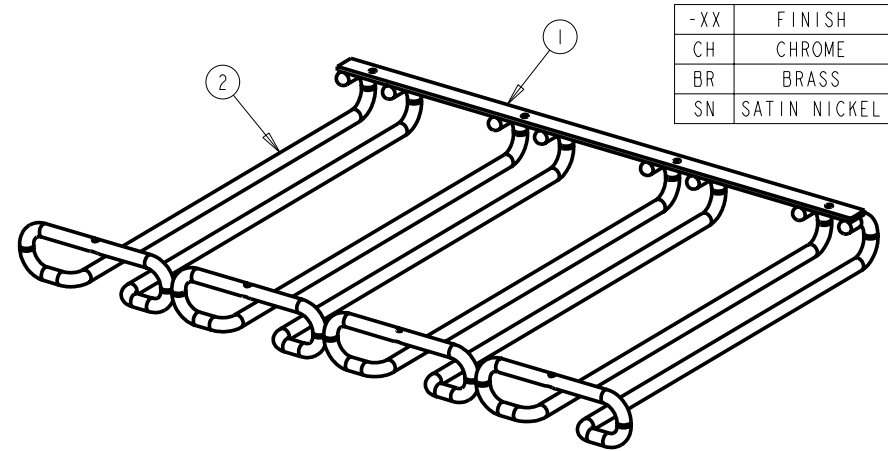
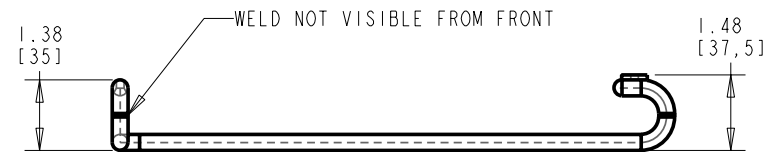


	HG-88010-11-XX	DESCRIPTION	QTY
1	HG-88010-11-1	PLATE	1
2	HG-88007-11	WIRE	4
	#6 X 3/4"	OVAL HEAD SCREW	8
	STEM-CLIP-XX	STEMWARE CLIP	2
	1-HG88010	INSTRUCTION SHEET	1
"A"	11.00 [279.5]		



-XX	FINISH
CH	CHROME
BR	BRASS
SN	SATIN NICKEL

SCALE 0.38



This drawing is the property of Rev-A-Shelf (RAS) and is disclosed in confidence to the extent its subject matter is original to RAS. Any vendor receiving this drawing from RAS shall hold and use this drawing for the sole benefit of RAS and shall not disclose it to, or use or reproduce it for any third party, or perform any act adverse to the interest of RAS with respect to this drawing without the express written permission of RAS. Vendors shall not revise any physical, dimensional or performance characteristic unless authorized by Rev-A-Shelf Engineering.

REV.	DATE	BY	DESCRIPTION OF CHANGE
A	7/3/06	HLF	ECN 06-042

INCH [MM]	AMERICAN PROJECTION	DRAWN	BY	DATE	REV-A-SHELF, Inc.
		HLF	HLF	2/2/06	
TOLERANCES					SIZE B
DECIMALS .XX ±.02 [.5mm]					11" QUAD
ANGLES ±1/2°					STEMWARE RACK
FRACTIONS ±1/32 [.8mm]					DRAWING NO. HG-88010-11-XX
					SCALE 7:16
					MATERIAL FINISH
					PART NO. SEE TABLE
					SHEET OF 1   1