

MAINTENANCE AND REPAIR OF WOOD PANELS

1. Make sure that all splatters are cleaned immediately. Excessive humidity and certain chemical products left on a finished surface can damage it.
2. Clean the splatters or soiled areas with a damp cloth, and dry completely.
3. Regularly apply a layer of spray or paste wax or lemon oil on the finished surface. This will improve and protect the finish and ensure that the barrier against humidity is intact should the finish be cracked or worn.
4. Minor scratches and bumps can be easily repaired by rubbing the affected surface with steel wool or fine sandpaper (440 grit). Make sure to always rub along the wood grain. Dust the edges of the repair and surrounding surface. Remove any dust or residue. Next apply a layer of EZ-DO polyurethane gel or a light-coloured lacquer, which may be purchased at most hardware stores. Only retouch sanded areas. Always follow the manufacturer's instructions when retouching the wood.
5. Major scratches and cracks or large areas of wood that were removed or damaged should be repaired by an experienced cabinetmaker.
6. The mineral netting that naturally colours the wood is due to mineral deposits in the tree. This should not be repaired... it gives your table a personal touch. This netting is mostly about ¼" wide and 3" long.
7. Make sure that the casters are unlocked before moving the cart.

MAINTENANCE FOR THE STAINLESS STEEL SHELVES AND LEGS

The stainless steel shelves and legs have been designed to last and will last for a long time with adequate maintenance.

1- Keep the table clean. DO NOT leave liquids on the steel surface for too long. DO NOT leave food crumbs, dust or other foreign bodies in contact with the steel for too long. Keeping the shelves and legs clean will help reduce bacteria formation.

2- Use of a stainless steel cleaner free of abrasive or chloride bleach is recommended. An abrasive cleaner will damage the steel surface. Chlorine bleach can cause discoloration of the steel. If this product is used, make sure you rinse immediately with plenty of water.

CART ASSEMBLY INSTRUCTIONS

PARTS:

- 1 TOP OF CART/DRAWER AND TWO (2) SIDE PANELS
- 2 STAINLESS STEEL SHELVES
- 4 LEGS

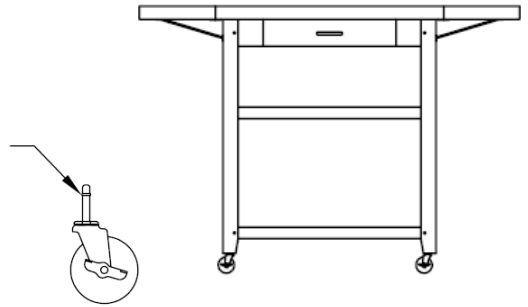
HARDWARE:

- 24 ¼" WASHERS
- 24 ¼" NUTS
- 8 ¼" X 1 ¼" 16 ¼" PHILIPS BOLTS X ½"
RETAINING RING

- 4 SIDE PANELS SUPPORTS
- 28 #11 X ¾" SCREWS
- 4 CASTERS

TOOLS REQUIRED

- 1 7/16" WRENCH OR RATCHET WRENCH
- 1 PHILIPS SCREWDRIVER



NOTE: IF THE CASTERS ARE DIFFICULT TO INSERT INTO A LEG, GENTLY CRUSH THE RETAINING RING ON THE CASTER ROD WITH LONG-NOSED PLIERS AND TRY TO REINSERT THE CASTER

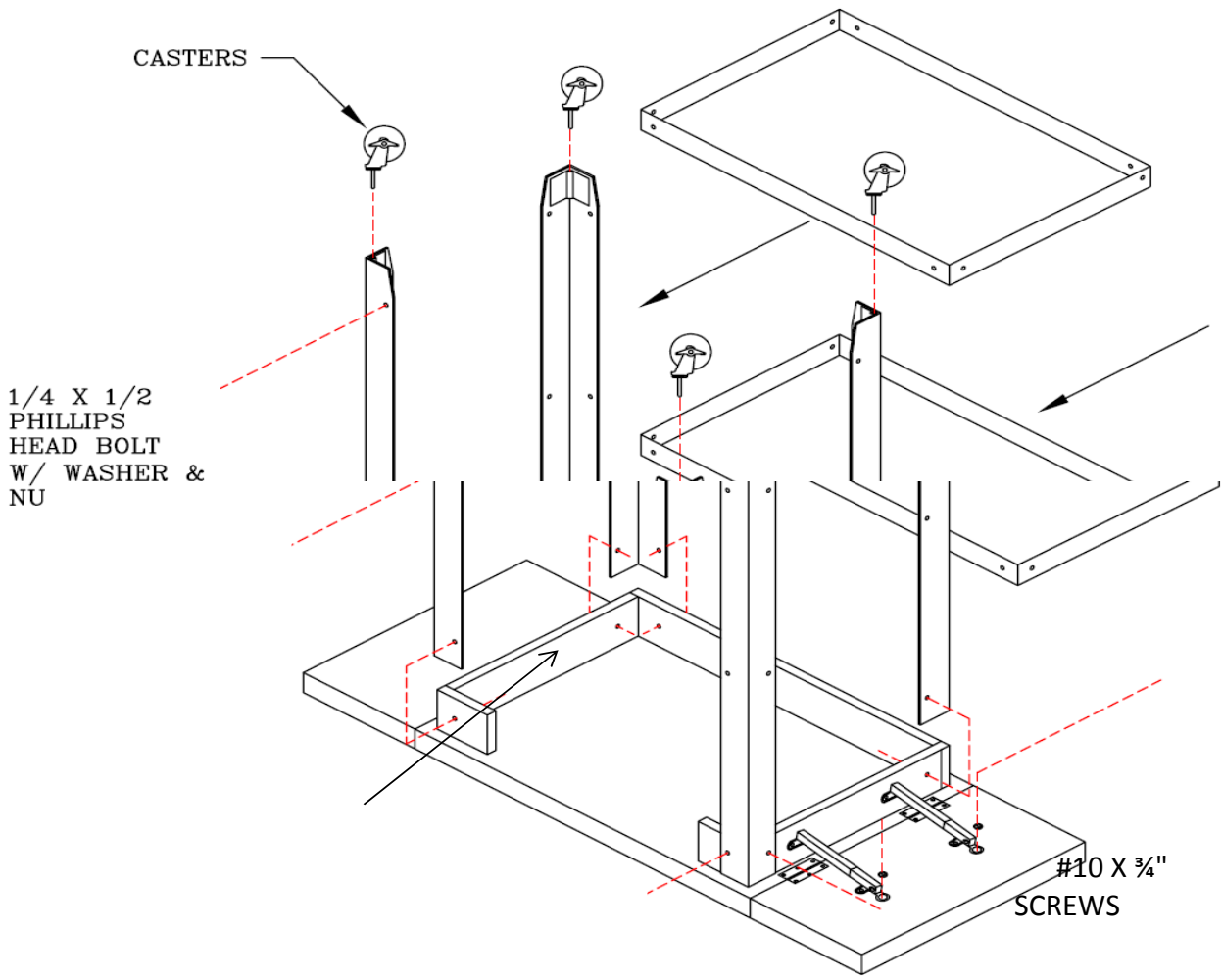
IMPORTANT: MAKE SURE THAT YOU HAVE HELP AVAILABLE TO INSTALL THE WOOD PANELS CORRECTLY IN ORDER TO AVOID INJURY OR DAMAGE TO THE PANELS.

SUGGESTIONS: APPLYING SOAP, PASTE WAX OR VASELINE ON THE WOOD SCREW THREADS WILL HELP INSERT THEM.

INSTRUCTIONS:

- 1) REMOVE ALL PARTS FROM THE BOX, ENSURING THAT THE ASSEMBLY AREA IS CLEAN AND FLAT.
- 2) ORGANIZE ALL THE HARDWARE IN ORDER OF SIZE.
- 3) PUT THE CART TOP FACEDOWN ON A CARPET, CARDBOARD OR ANOTHER PROTECTIVE SURFACE. DO NOT LET THE DRAWER FALL OUT.
- 4) ATTACH THE SIDE PANELS IN PLACE ON THE CART USING # 10X ¾" SCREWS (THE HOLES ARE PRE-DRILLED).
- 5) ATTACH THE PANEL SUPPORTS BY AFFIXING THEM TO THE PANEL AND CART. MAKE SURE THAT THE WIDEST PART OF THE SUPPORT IS ATTACHED TO THE PANEL AND THE NARROWEST PART OF THE DECK. USE THE REMAINING # 10 X ¾" SCREWS (PRE-DRILLED HOLES)
- 6) ATTACH EACH OF THE FOUR LEGS TO THE OUTSIDE CORNER OF THE DECK USING 1/4X 1-1/4 BOLTS WITH THE NUTS AND WASHERS. DO NOT OVERLY TIGHTEN AT THIS STEP.
- 7) ATTACH EACH SHELF TO THE LEGS USING THE 2 1/4"X1/2" PHILIPS BOLTS WITH THE NUTS AND WASHERS TO EACH CORNER OF THE DECK. DO NOT OVERTIGHTEN AT THIS STEP.
- 8) NOW COMPLETELY TIGHTEN THE BOLTS FROM STEPS 6 AND 7.
- 9) INSERT THE CASTERS INTO THE BASE OF EACH LEG BY PUSHING EACH CASTER UNTIL IT CLICKS IN PLACE.
- 10) WITH THE HELP OF ANOTHER PERSON, HOLD THE SIDE PANELS AND DRAWER AND RETURN THE CART

RIGHT-SIDE UP. MAKE SURE YOU FOLLOW THE MANUFACTURER'S MAINTENANCE GUIDELINES



DECK

1/4" X 1-1/4" BODY BOLT
W/WASHER AND NUT